

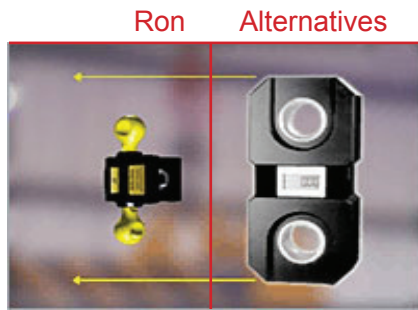


Ron 2501 Shackle Type Wireless Dynamometer

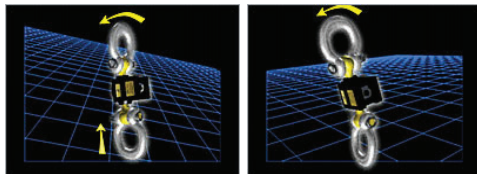
Short delivery time:
 Usually 2 - 4 business days.

High quality Aerospace Steel
 for increased strength and safety.

Exceptionally small dimensions enable minimum headroom loss and portability. For example: Height of the 3t load cell is 4 inch / 100 mm



Unique design: 90° between shackle holes eliminates external moments and consequently increases accuracy, safety and longevity.



Internal shock protection design:
 The electronic board is secured on dampening mounts providing protection from external shock.

New: Fatigue rated load cells - an important and unique safety feature: All Ron crane scales and dynamometers are now Fatigue Rated. They have an improved fatigue resistance level.

Optional thermometer: The load cell temperature is displayed in real time on the indicator (in Celsius or Fahrenheit degrees), enabling the user to avoid overheating of the load cell.



Wide temperature range:
 Load cell: -15°F to +175°F (-25°C to + 80°C)
 Indicator: -4°F to +158°F (-20°C to +70°C).

More than three decades in the market:
 Eilon Engineering Ltd. has specialized in the development and manufacturing of Ron crane scales and dynamometers since 1976. We have thousands of repeat customers such as NASA, Boeing, US Air Force and many more.

Long transmission range: Up to 450' / 150m.



Wireless



Shackles not included

Exceptionally long battery life: Up to 4000 hour on AA disposable batteries (optional).

Multi-cell option:
 Measurements of several load cells (up to 16) can be displayed simultaneously on one indicator, as well as their sum.



Safety feature: The Ron 2501 is programmed to insure that the indicated value is identical to the transmitted one.

Double overload warning is displayed on the screen at 100% of full scale and at 130%.

Advanced options such as: Integrated data logger, additional wireless indicator and more.

Heat Shield for foundries:
 Composed of special heat resistant material to slow the internal heating process, as well as a metal plate for protection against heat radiation.





Ron 2501 Shackle Type Wireless Dynamometer

Description

2501 is an exceptionally small, light and advanced wireless dynamometer.

Ron 2501 wireless dynamometer has an exceptionally long battery life: Up to 2000 hours (standard) and up to 4000 hours (optional) on AA disposable batteries.

Applications of the Ron 2501 wireless dynamometer: It is especially suitable for hot industries (foundries etc), where a cable will not survive the heat, as well as in other applications where it is more convenient to use wireless dynamometers and load cells than to use wired dynamometers.

Ron 2501 wireless crane scale is also available as a multi-cell system, where several wireless load cells' measurements are summed up and shown on one indicator. The same is available with our Ron StageMaster system where up to 100 wireless load cells transmit to one or more receivers and create a real time load map, presented on any laptop screen as well as on smartphones and tablets.

The Ron 2501 wireless dynamometer has an internal mechanism which ensures that the transmitted value is identical to the received and indicated value. This is an important safety feature as the wireless dynamometer will either show the correct reading or display "Transmission Error". The wireless dynamometer will not indicate a value different from the transmitted one.

The small dimensions of this wireless dynamometer ensure low headroom and portability. The unique hole structure (90° between shackle holes) of Ron 2501 wireless dynamometers and wireless load cells improves safety, utility, and accuracy, by neutralizing external moments.

This system's durability is also increased thanks to the fact that its electronic board is mounted on dampening mounts so it can effectively absorb impacts and keep the electronics unharmed in the case of mechanical shock.

All Ron wireless dynamometers, wired dynamometers, wireless load cells and crane scales, are made of high quality aerospace steel for increased strength and safety.

Eilon Engineering, Ron 2501's manufacturer, has been one of the leading crane scales and dynamometers manufacturers worldwide for more than 30 years.



Ron 2501 Shackle Type Wireless Dynamometer

Specifications

Transmission range: Up to 150 yards / meters (outdoor, line of sight).

Safety factor: Designed to 5:1.

Proof Load: Each system proof-loaded to 200% of capacity (certified) up to a test force of 400t.

Accuracy: $\pm 0.1\%$ of full range.

Display: 5 digit, $\frac{1}{2}$ " (12mm) liquid crystal display with two overload warning levels, max. value (peak hold), low battery (load cell and indicator), tare state (gross or net), measuring unit, charge and programming instructions. Standard display update rate per second: 1 (optional 2/3).

Sampling Rate: 200 per second.

Functions: Zero. Tare. Battery charge level. Low battery warning one for the load cell and the other for the hand held indicator, displayed on the latter. Max. (peak hold). Two-level overload visual alarms. User calibration.

Units: Available in the following measurement readings: metric tons, short tons (2000 lbs), kgs, lbs (lbs x 10 for capacities of 50t and above), newtons, deca newtons, k. newtons.

Load Cell Material: Made of high-strength, aerospace quality, alloy steel, polyurethane coated.

Indicator Material: High quality ABS.

Power: 3 x AA 1.5 Volt Alkaline disposable batteries in the indicator and 2 x AA batteries in the load cell (optional 4 x AA batteries) for extended battery life, with battery life indication. Batteries rated 3AH will function up to 2000 hours (three months of continuous working). Optional extended battery life of up to 4000 hours is available. Occasional use will extend the life of the batteries up to several years. Adding certain options will shorten the life of the batteries. All settings retained at power off.

Calibration: User calibration. Initial factory calibration, fully traceable (certified).

Temperature Range:

Load cell: -15°F to $+175^{\circ}\text{F}$ (-25°C to $+80^{\circ}\text{C}$)

Indicator: -4°F to $+158^{\circ}\text{F}$ (-20°C to $+70^{\circ}\text{C}$).

Environmental: Weather proof NEMA4, IP65



Ron 2501 Shackle Type Wireless Dynamometer

Options

- Additional 0.5"/12mm LCD display with cable connection to indicator or wireless
- Additional 1"/25mm LCD display with cable connection to indicator or wireless
- Additional 2"/50mm LCD display with cable connection to indicator or wireless
- Additional 4"/100mm LED display with cable connection to indicator or wireless
- Additional wireless ABS indicator 0.5"/12mm digits
- Additional wireless aluminum indicator 1"/25mm digits
- Additional wireless aluminum indicator 2"/50mm digits
- Battery life: Extended battery life of up to 4000 hours
- Baud rate, user-selectable
- Carrying case: Pelican, high quality
- Dampened (average) display for unstable loads
- Data logger – manual or automatic - up to 600 measurements
- Data logger – manual or automatic - up to 3,000 measurements
- Data logger – manual or automatic - up to 6,000 measurements
- Data logger – manual or automatic - up to 10,000 measurements
- Indicator belt clip
- IP 67 load cell with special off-shore connectors
- IP 68 load cell with underwater capability (up to 50t)
- Multi-cell: Up to 8 different load cells controlled by a single indicator
- Number of measurements per second: 2,3, factory set
- Real-time clock
- Robust, extruded aluminum, hand-held indicator (1"/25mm or 2"/50mm digits)
- Rechargeable batteries with an external charger.
- RS-232 - continuous or on demand data output, user-selectable
- RS-485 - continuous or on demand data output, user-selectable
- Totalizer
- Units, user-selectable
- USB

Options for hot industries:

- Heat shield for the load cell
- Internal load cell thermometer for load cell temperature display on the hand-held indicator

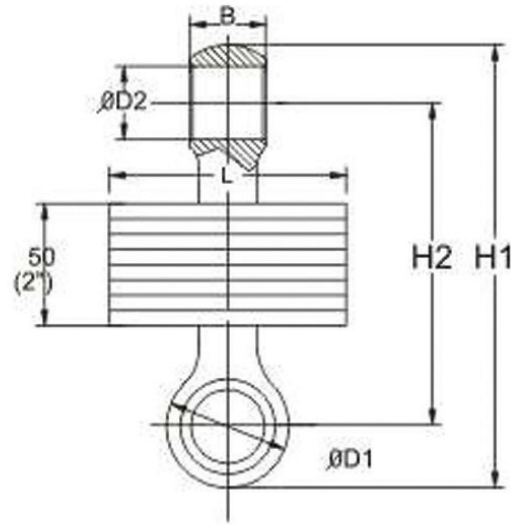


Ron 2501 Shackle Type Wireless Dynamometer

Dimensions Table and Drawing



Optional carrying case



Cat no.	Full range			Resolution		Load cell weight		H1 (max.)		H2 (max.)		B (max.)		L		ØD1 (max.)		ØD2 (min.)		Matching anchor shackle size*
	tons	kgs	lbs	kgs	lbs	mm	inch	mm	inch	mm	inch	mm	inch	mm	inch	mm	inch			
S-005	0.5	0.2	0.5	0.3	0.7	125	4.9	92	3.7	16	0.7	100	4	31	1.3	17	0.66	1/2	7/16	3/8
S-01	1	0.5	1	0.3	0.7	125	4.9	92	3.7	16	0.7	100	4	31	1.3	17	0.66	1/2	7/16	3/8
S-02	2	1	2	0.3	0.7	125	4.9	92	3.7	16	0.7	100	4	31	1.3	17	0.66	1/2	7/16	3/8
S-03	3	1	2	0.3	0.7	137	5.4	100	4	19	0.75	100	4	38	1.5	21	0.82	5/8	1/2	
S-05	5	2	5	0.5	1	147	5.8	105	4.2	26	1	100	4	43	1.7	23	0.9	3/4	5/8	
S-10	10	5	10	1.4	3.1	195	7.7	131	5.2	41	1.6	100	4	61	2.4	36	1.4	1 1/4	1 1/8	1
S-12	12.5	5	10	1.4	3.1	195	7.7	131	5.2	41	1.6	100	4	61	2.4	36	1.4	1 1/4	1 1/8	1
S-15	15	5	10	2.5	5.5	220	8.7	141	5.6	43	1.7	100	4	74	3	43	1.7	1 3/8		
S-20	20	10	20	2.5	5.5	220	8.7	141	5.6	43	1.7	100	4	74	3	43	1.7	1 3/8		
S-25	25	10	20	3.7	8	240	9.4	150	5.9	58	2.3	100	4	87	3.4	44	1.7	1 1/2		
S-30	30	10	20	3.7	8	240	9.4	150	5.9	58	2.3	100	4	87	3.4	44	1.7	1 1/2		
S-40	40	20	50	8	17	320	12.6	195	7.7	71	2.8	100	4	115	4.5	60	2.3	2	1 3/4	
S-50	50	20	50	8	17	320	12.6	195	7.7	71	2.8	100	4	115	4.5	60	2.3	2	1 3/4	
S-80	80	50	100	18	40	405	16.9	255	10	97	3.8	100	4	145	5.7	76	3	2 1/2		
S-100	100	50	100	28	60	450	17.7	275	10.8	121	4.8	155	6.2	165	6.5	81	3.18	CROSBY No. 2160 125t		
S-125	125	50	100	28	60	450	17.7	275	10.8	121	4.8	165	6.6	165	6.5	81	3.18	CROSBY No. 2160 125t		
S-200	200	100	200	57	121	575	22.6	350	13.8	145	5.7	165	6.6	210	8.3	106	4.2	CROSBY No. 2160 200t		
S-250	250	100	20	106	225	800	31.5	490	19.3	178	7.0	200 245	8 9.7	260	10.2	138	5.4	CROSBY No. 2140 250t or No. 2160 300t		
S-300	300	100	200	106	225	800	31.5	490	19.3	178	7.0	245	9.7	260	10.2	138	5.4	CROSBY No. 2160 300t		

* USE SHACKLES WITH S.W.L. (SAFE WORKING LOAD) EQUAL TO, OR GREATER THAN THE SYSTEM'S FULL RANGE.

* The company reserves the right to make changes without notice.